

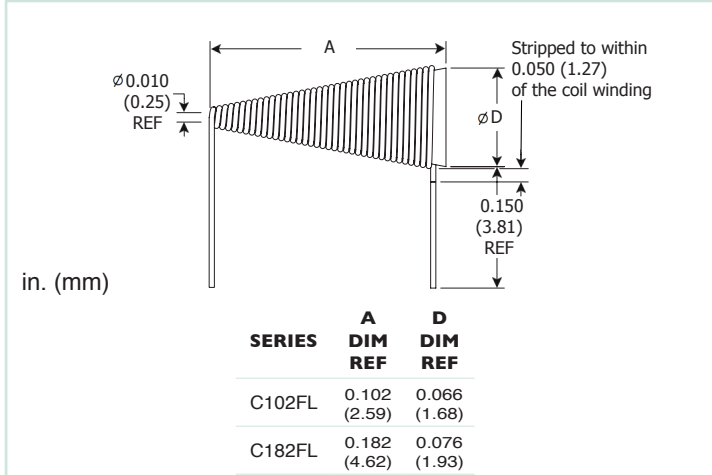
**NEW BROADBAND DATA SUMMARY**



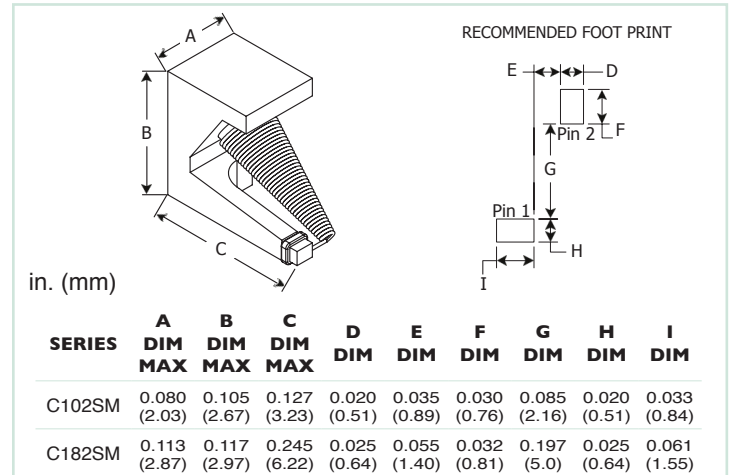
*C102 & C182 Series Expand RF Conical Product Line*

Outgassing Tested per ASTM E595 (\*)

**Wirewound, Powdered Iron Core, Flying Lead**



**Wirewound, Powdered Iron Core, Surface Mount**



PART NUMBER	L $\mu$ H @ 1 MHz	DCR $\Omega$ NOM	CURRENT RATING mA DC	TURNS	WIRE SIZE AWG
<b>SERIES C102FL</b>					
C102FL2238G6	0.47	0.19	815	22	38
C102FL2740G6	0.70	0.32	619	27	40
C102FL3442G6	1.1	0.64	438	34	42
C102FL4544G6	2.0	1.60	277	45	44
C102FL6047G6	3.8	3.70	182	60	47
<b>SERIES C182FL</b>					
C182FL3638G6	1.47	0.33	694	36	38
C182FL4840G6	2.0	0.65	494	48	40
C182FL6042G6	3.3	1.29	350	60	42
C182FL7844G6	6.0	2.85	236	78	44
C182FL11047G6	10.7	7.10	150	110	47

PART NUMBER	L $\mu$ H @ 1 MHz	DCR $\Omega$ NOM	CURRENT RATING mA DC	TURNS	WIRE SIZE AWG
<b>SERIES C102SM</b>					
C102SM2238G6	0.47	0.19	815	22	38
C102SM2740G6	0.70	0.32	619	27	40
C102SM3442G6	1.1	0.64	438	34	42
C102SM4544G6	2.0	1.60	277	45	44
C102SM6047G6	3.8	3.70	182	60	47
<b>SERIES C182SM</b>					
C182SM3638G6	1.47	0.33	694	36	38
C182SM4840G6	2.0	0.65	494	48	40
C182SM6042G6	3.3	1.29	350	60	42
C182SM7844G6	6.0	2.85	236	78	44
C182SM11047G6	10.7	7.10	150	110	47

**NOTES:**

- **Operating Temperature Range:** -55°C to +125°C
- **Current Rating** is based on a 100°C temperature rise at an ambient temperature of 25°C
- **Wire Type:** Copper
- **Terminations:** Gold and RoHS compliant
- **Weight Max:**  
C102FL Series: 0.007 grams  
C182FL Series: 0.030 grams
- All non-tolerance and electrical data are reference only and based on nominal data
- \* Meets a TML (Total Mass Loss) requirement of 1.0% maximum when tested in accordance with ASTM E595; this calculation does not include WVR (Water Vapor Recovered)

**PACKAGING SPECS:**

Bulk - in Jewel Case

**NOTES:**

- **Operating Temperature Range:** -55°C to +125°C
- **Current Rating** is based on a 100°C temperature rise at an ambient temperature of 25°C
- **Wire Type:** Copper
- **Terminations:** Gold and RoHS compliant
- **Weight Max:**  
C102SM Series: 0.010 grams  
C182SM Series: 0.050 grams
- All non-tolerance and electrical data are reference only and based on nominal data
- Terminal is elongated to allow for soldering close to the tip of the coil
- Recommended that component is epoxied to substrate before reflow soldering
- \* Meets a TML (Total Mass Loss) requirement of 1.0% maximum when tested in accordance with ASTM E595; this calculation does not include WVR (Water Vapor Recovered)

**TAPE AND REEL SPECS: C102SM C182SM**

Pcs./Reel maximum:	425	350
Pitch between parts:	12 mm	12 mm
Tape width:	16 mm	16 mm
Reel diameter:	7 in.	7 in.